

Interface PCB

Connector

PROCESSOR DSP AUDIO

252 SHEET 4

RECEIVER

246 GND RX-ANT SHEET 3

SYNTH-VCO

2922 GND SHEET 5

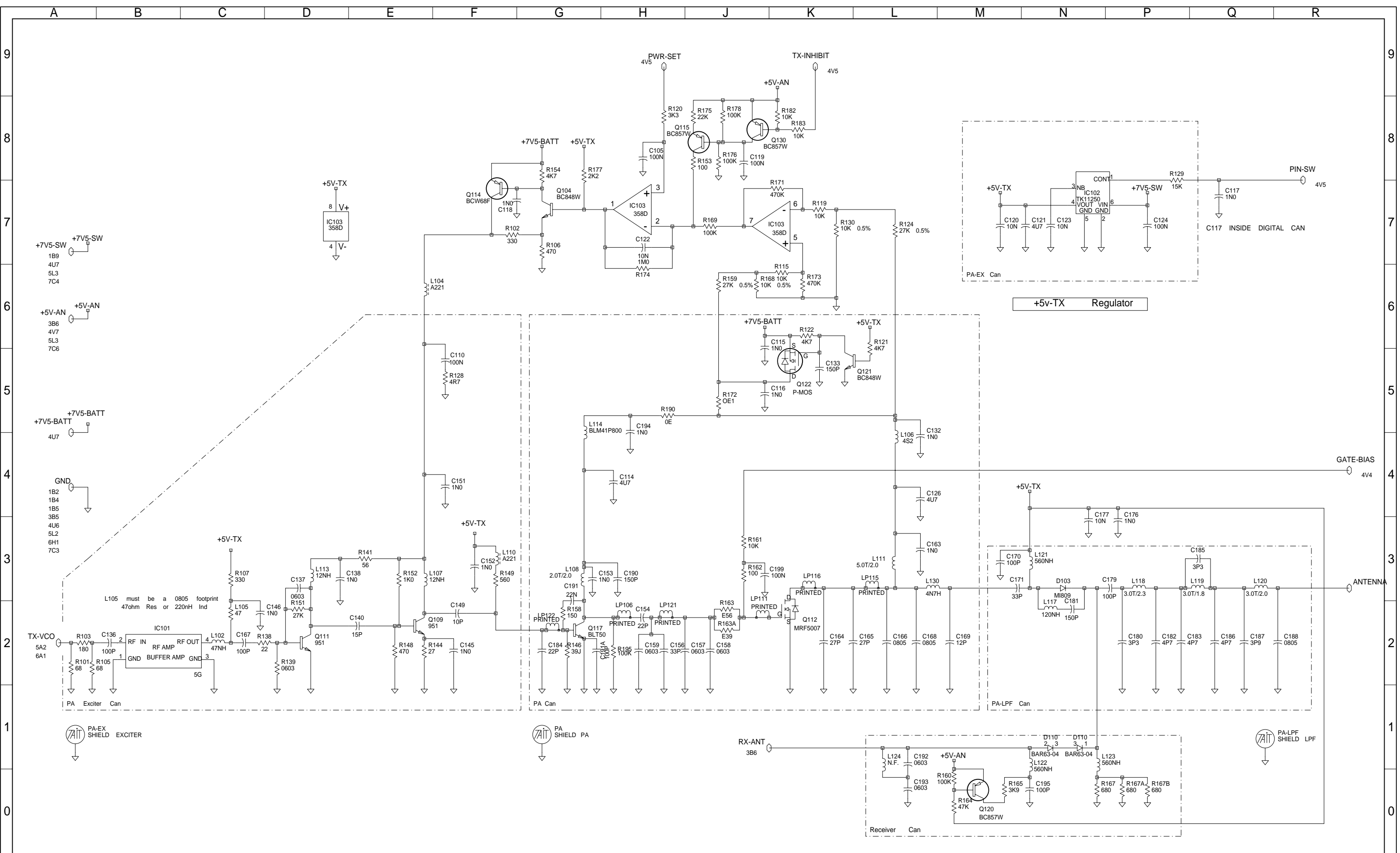
POWER-AMP

93 GND RX-ANT SHEET 2

VCO
sheet 6

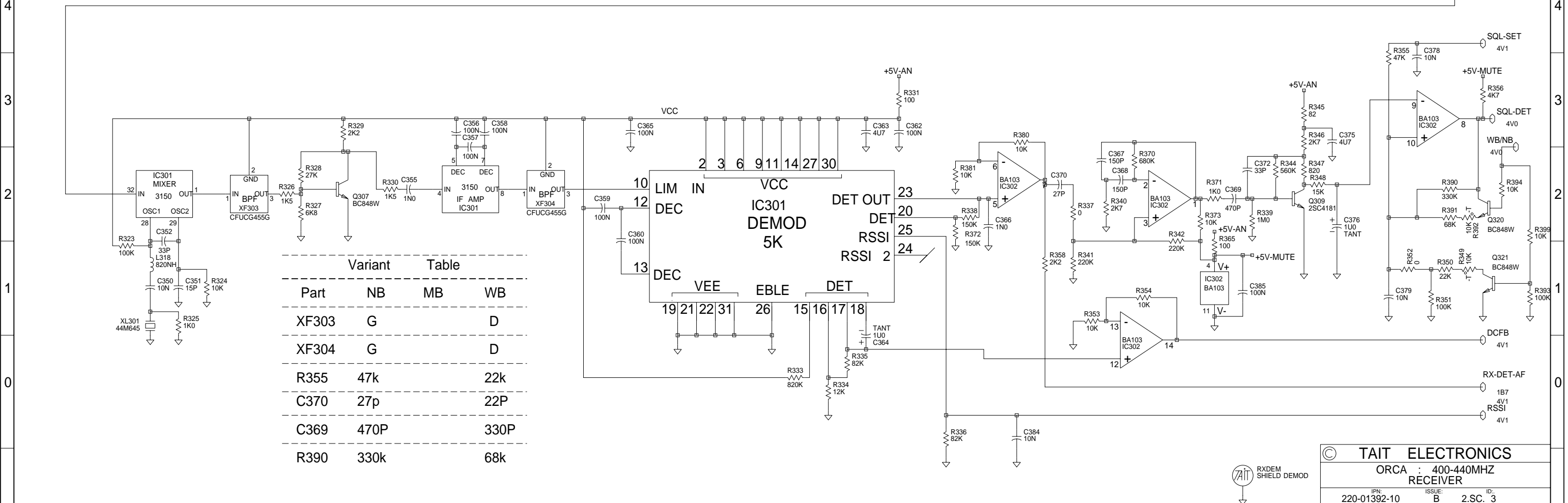
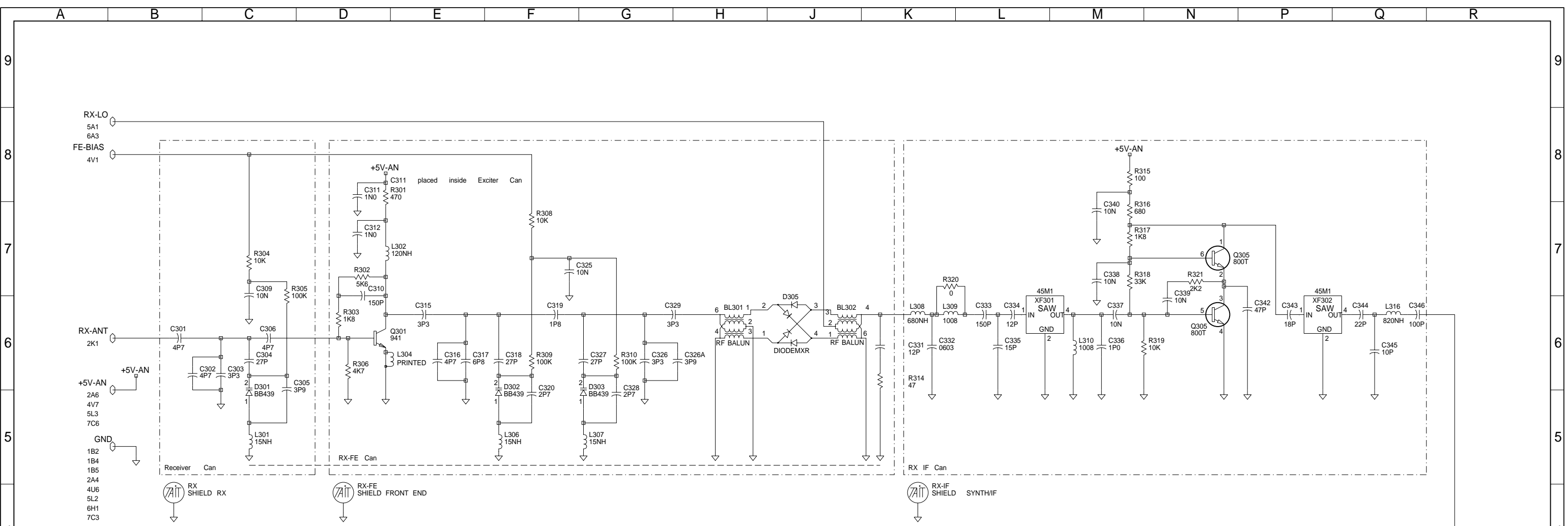
REV/ISS	AMENDMENTS	DRAWN	CHKD	D.O.	APVD	DATE
10B	CHANGED C572 FROM 0603 TO 0805	BRD				11-5-99
10A	MUTE MOD/ALC/BIRDY MODS	BRD				11-03-99
09A	UPDATES TO COIL PADS	BRD				04/02/99
05	MOREUPDATES	DBH				
04	UPDATED AND MOVED AERIAL SOCKET	MAJ				
03 B	UPDATED VALUES ADDED CANS TO PLA	MAJ				

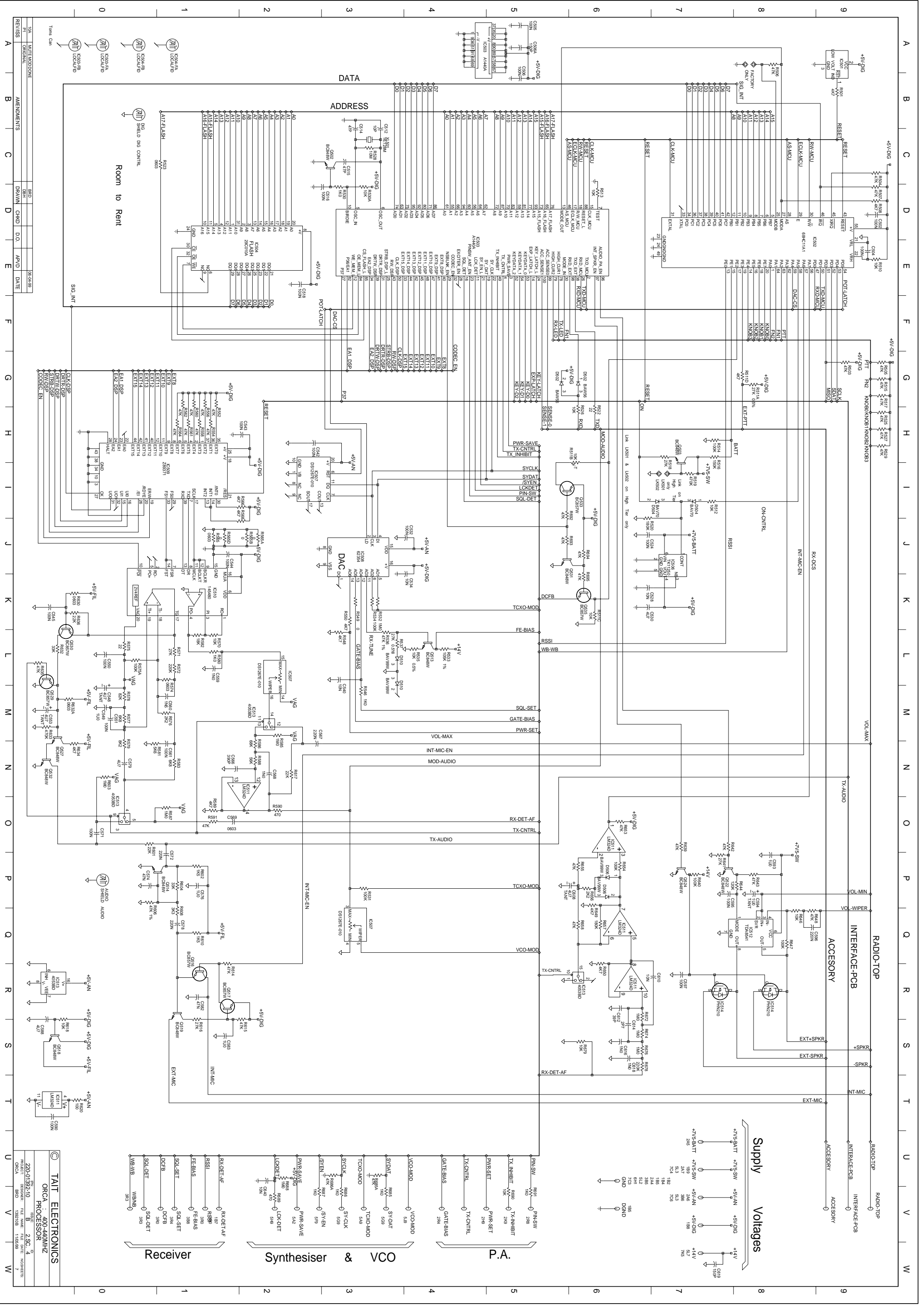
TAIT ELECTRONICS			
ORCA : 400-440MHZ SYSTEM DIAGRAM			
IPN:	ISSUE:	ID:	
220-01392-10	B	2.S.C. 1	
PROJECT:	DESIGNER:	FILE NAME:	FILE DATE:
ORCA	BRD	139210B	11/05/99
			NO.SHEETS: 7



© TAIT ELECTRONICS
 ORCA : 400-440MHZ
 POWER AMPLIFIER
 IPN: 220-01392-10 ISSUE: B ID: 2.S.C. 2
 PROJECT: ORCA BRD DESIGNER: 139210B FILE NAME: 11/05/99 FILE DATE: NO.SHEETS: 7

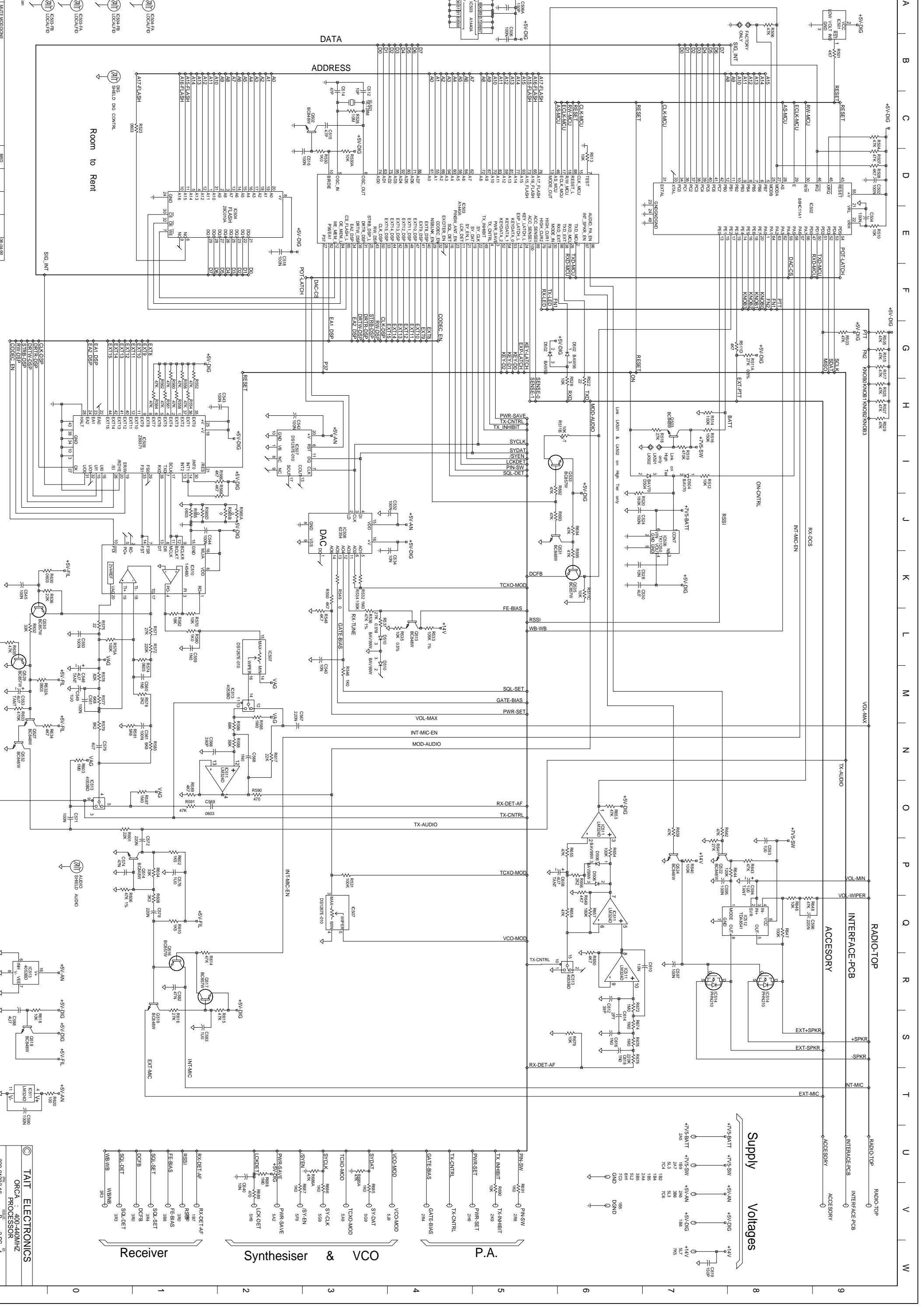
REV/ISS	AMENDMENTS	DRAWN	CHKD	D.O.	APVD	DATE
A						



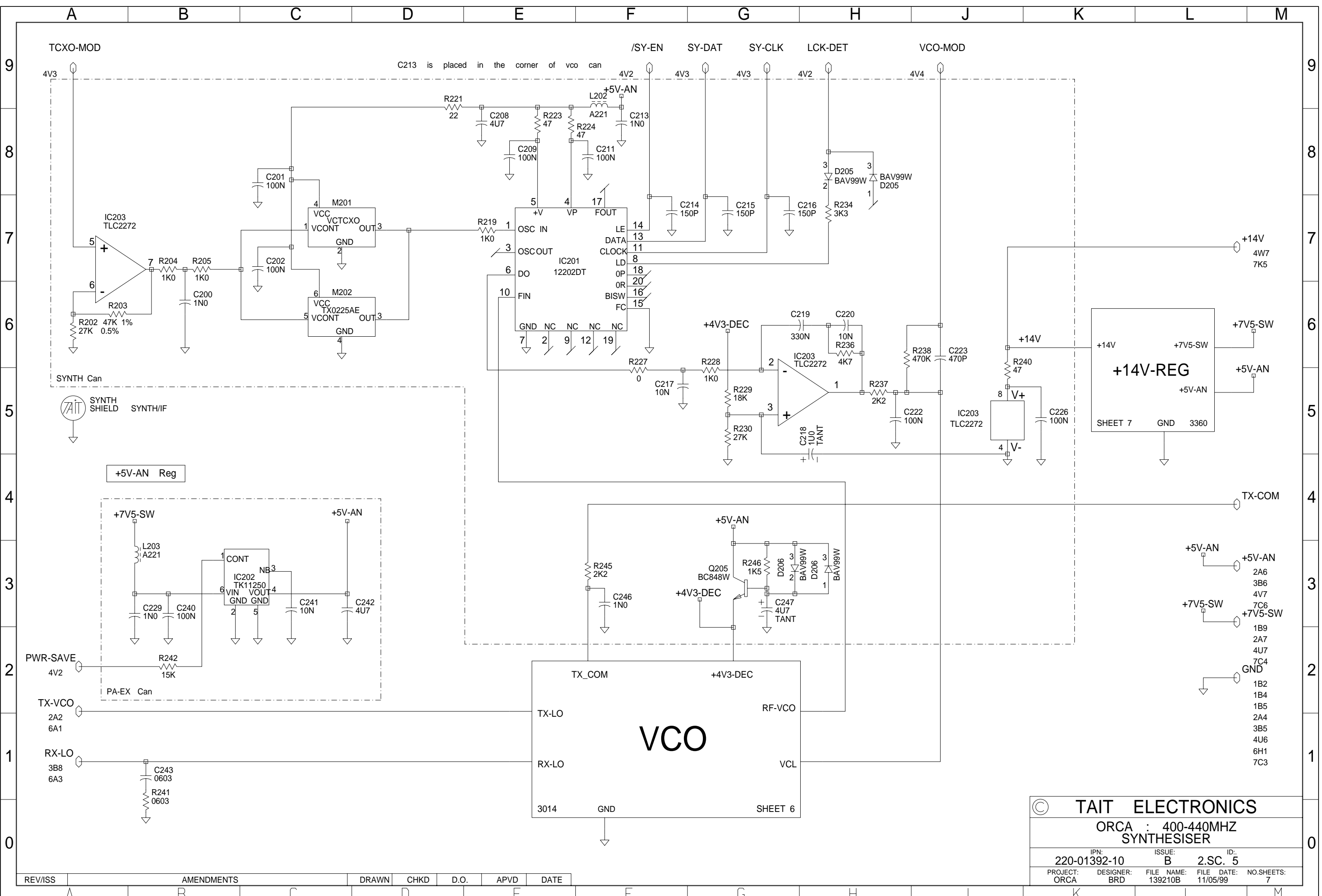


REV/ISS	DATE	BY	CHKD	APP'D
001	08/04/09	SHI	SHI	
002		SHI	SHI	
003		SHI	SHI	
004		SHI	SHI	
005		SHI	SHI	
006		SHI	SHI	
007		SHI	SHI	
008		SHI	SHI	
009		SHI	SHI	
010		SHI	SHI	

TAIT ELECTRONICS
ORCA . 400-440MHZ
PROCESSOR



REF	QTY	DESCRIPTION
IC508	1	RECEIVER IC
IC509	1	SYNTHESISER & VCO IC
IC513	1	P.A. IC
IC511	1	VCO IC
IC512	1	VCO IC
C501-C515	15	CAPACITORS
R501-R515	15	RESISTORS
U501-U510	10	CONNECTORS



C213 is placed in the corner of vco can

+14V-REG
SHEET 7
GND 3360

+5V-AN Reg

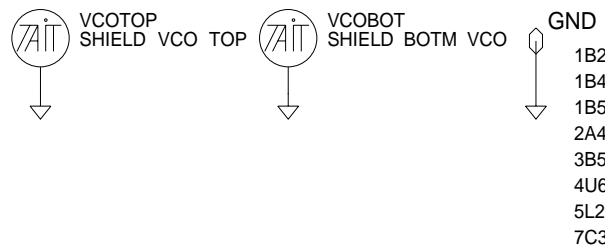
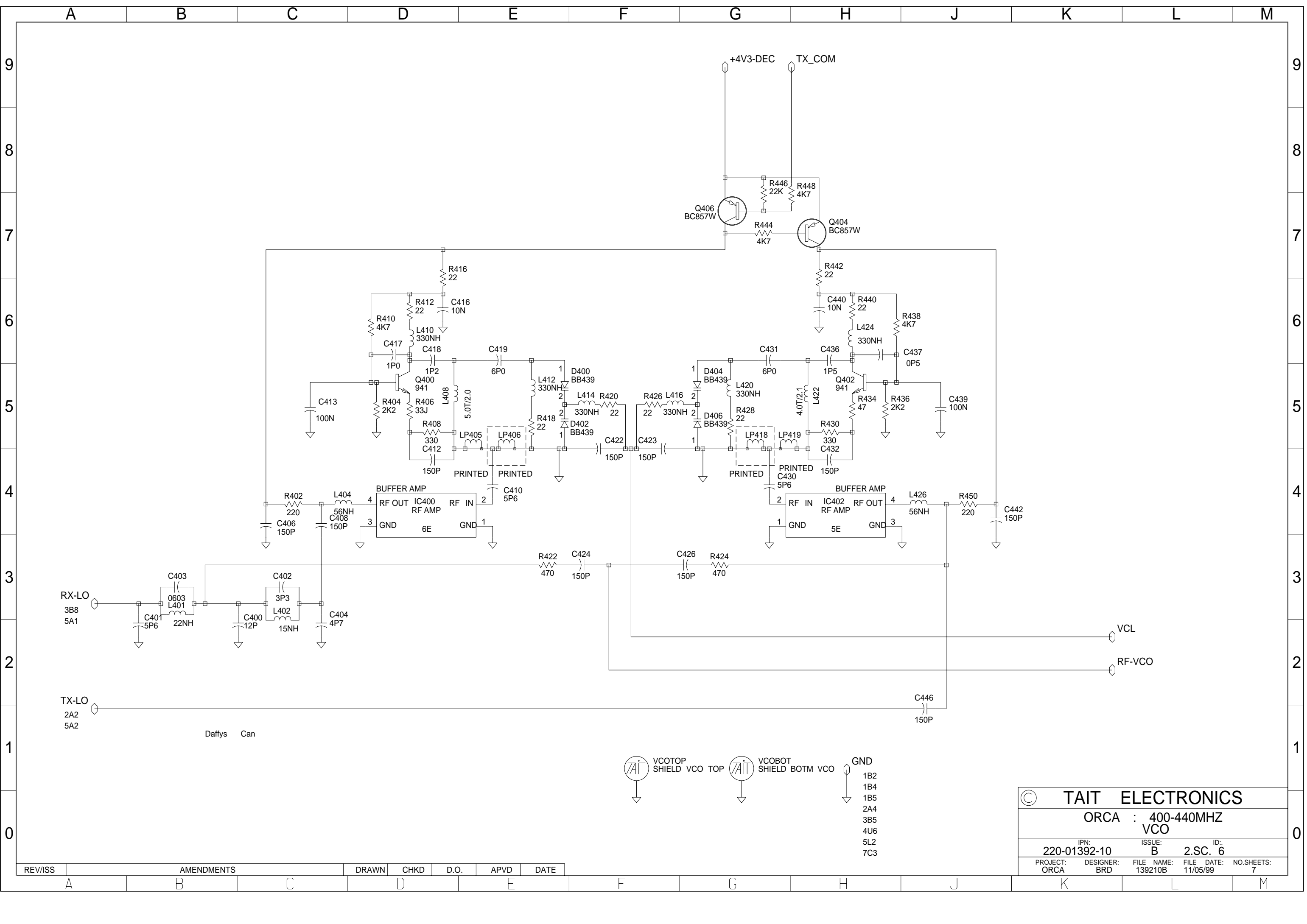
PA-EX Can

VCO
3014 GND SHEET 6

© TAIT ELECTRONICS				
ORCA : 400-440MHZ SYNTHESISER				
IPN:	ISSUE:	ID:		
220-01392-10	B	2.SC. 5		
PROJECT:	DESIGNER:	FILE NAME:	FILE DATE:	NO.SHEETS:
ORCA	BRD	139210B	11/05/99	7

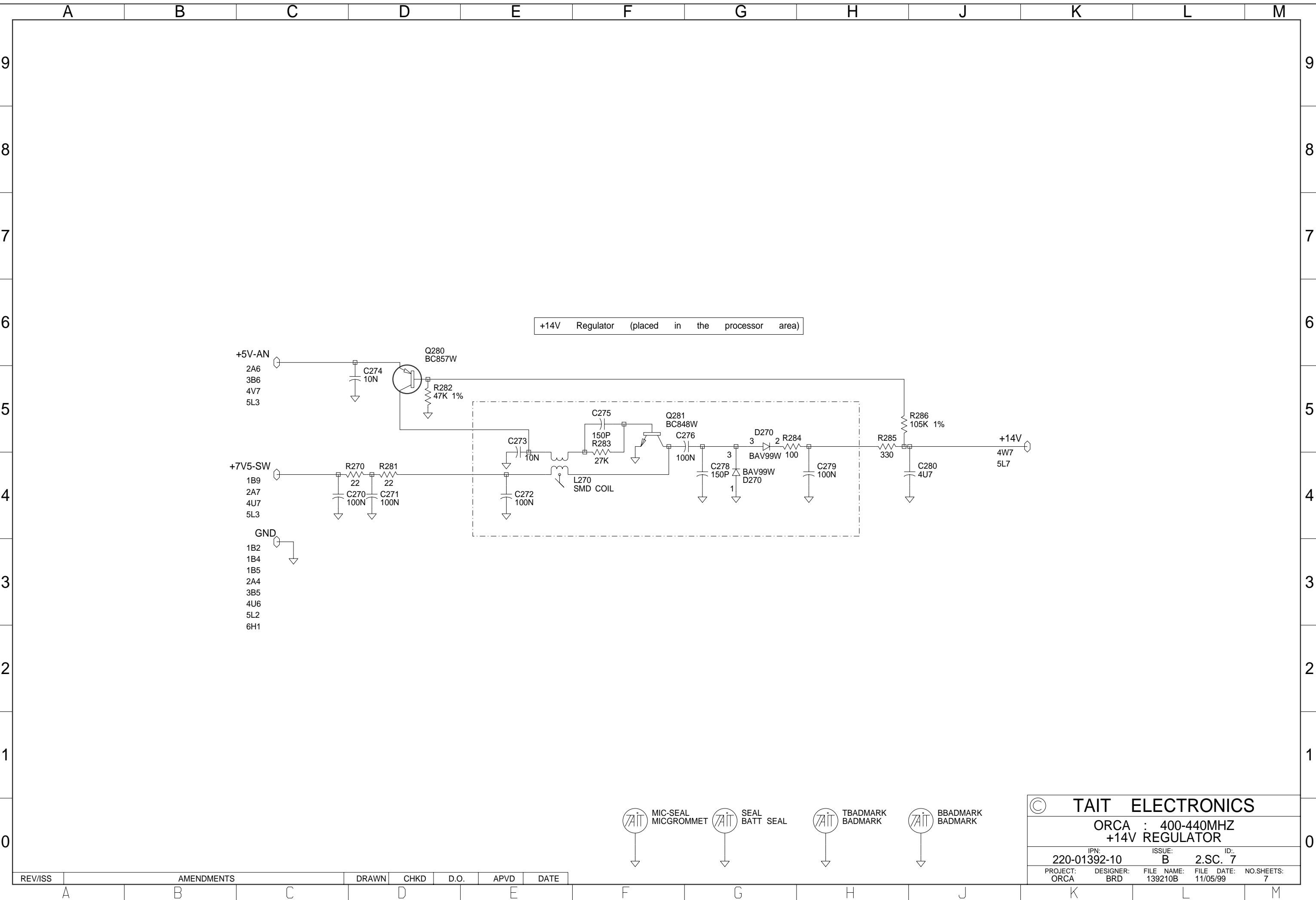
REV/ISS	AMENDMENTS	DRAWN	CHKD	D.O.	APVD	DATE

- +5V-AN 2A6
- +5V-AN 3B6
- +5V-AN 4V7
- +7V5-SW 7C6
- +7V5-SW 1B9
- +7V5-SW 2A7
- +7V5-SW 4U7
- +7V5-SW 7C4
- GND 1B2
- GND 1B4
- GND 1B5
- GND 2A4
- GND 3B5
- GND 4U6
- GND 6H1
- GND 7C3







© TAIT ELECTRONICS				
ORCA : 400-440MHZ VCO				
IPN:	ISSUE:	ID:		
220-01392-10	B	2.SC. 6		
PROJECT:	DESIGNER:	FILE NAME:	FILE DATE:	NO.SHEETS:
ORCA	BRD	139210B	11/05/99	7

REV/ISS	AMENDMENTS	DRAWN	CHKD	D.O.	APVD	DATE

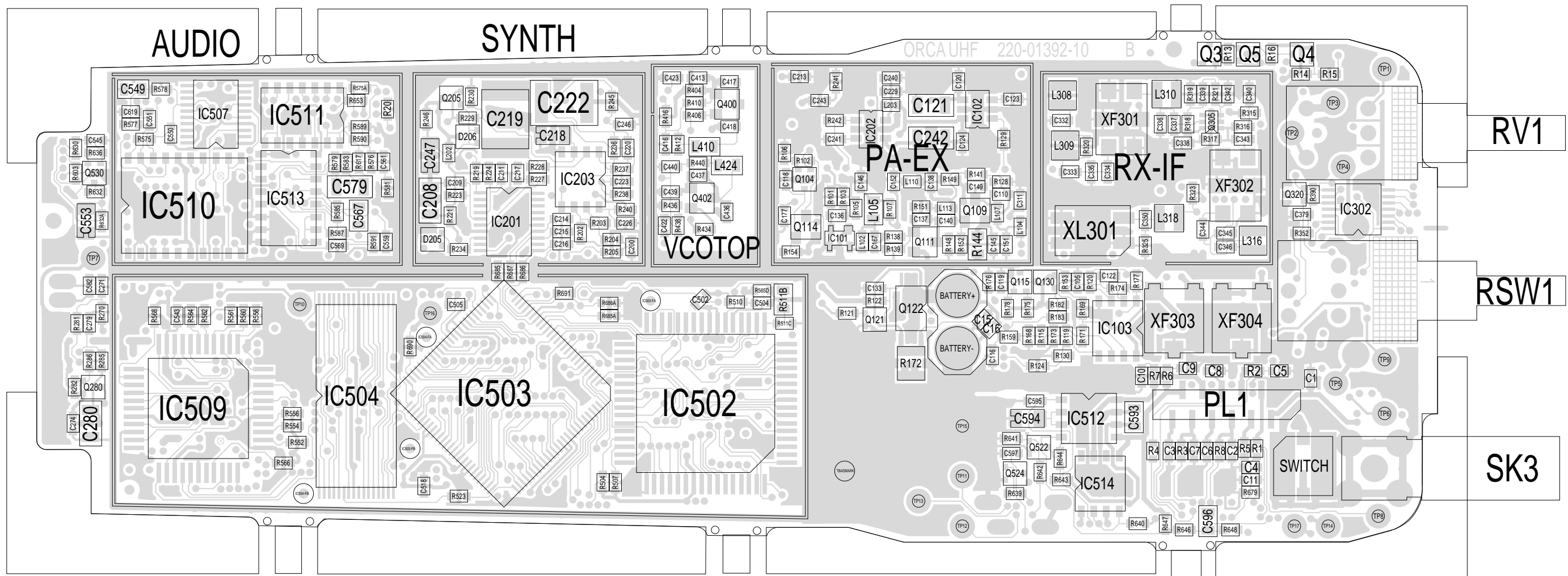


+14V Regulator (placed in the processor area)

- 
 MIC-SEAL
 MICGROMMET
- 
 SEAL
 BATT SEAL
- 
 TBADMARK
 BADMARK
- 
 BBADMARK
 BADMARK

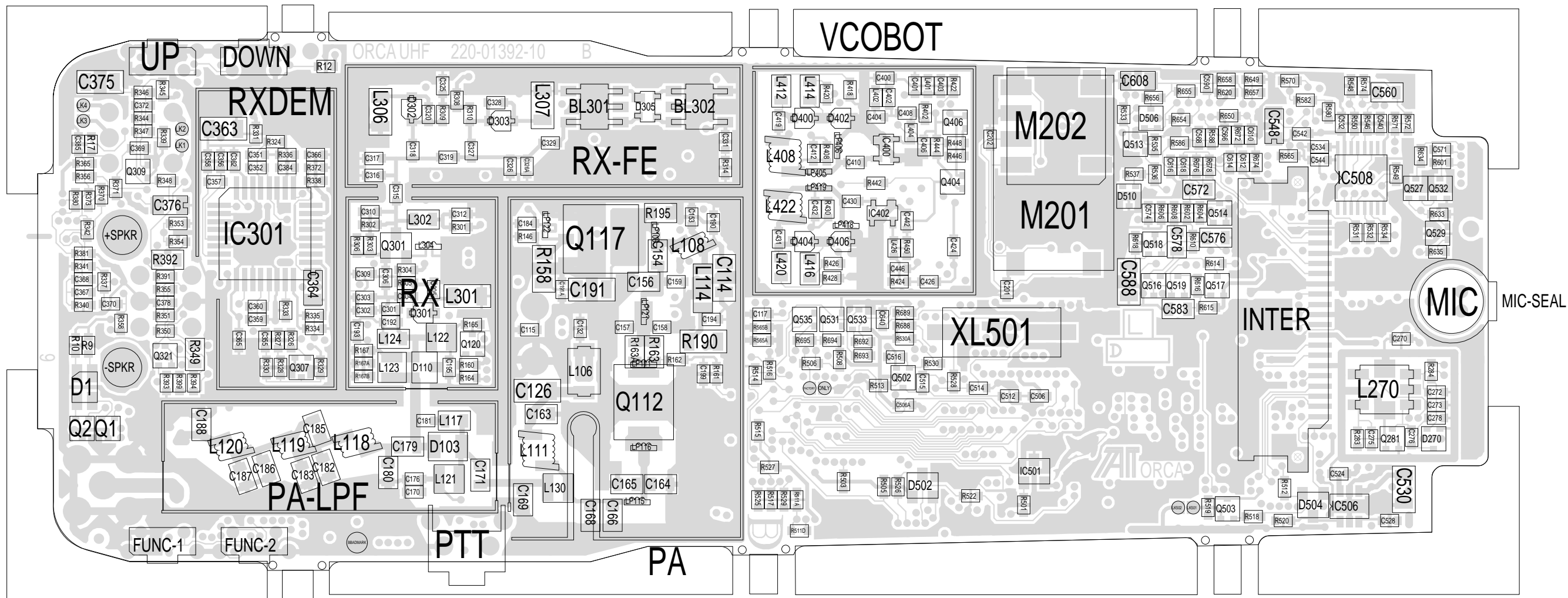
© TAIT ELECTRONICS				
ORCA : 400-440MHZ +14V REGULATOR				
IPN: 220-01392-10	ISSUE: B	ID: 2.SC. 7		
PROJECT: ORCA	DESIGNER: BRD	FILE NAME: 139210B	FILE DATE: 11/05/99	NO.SHEETS: 7

REV/ISS	AMENDMENTS	DRAWN	CHKD	D.O.	APVD	DATE



TAIT ELECTRONICS IPN: 220-01392-10 ISS: -10B ID: 1.TA DATE: 13 May 1999
 ORCA UHF PCB LAYOUT - TOP SIDE

Scale: 2.3:1 ; Rotation: 0 degrees



TAIT ELECTRONICS IPN: 220-01392-10 ISS: -10B ID: 6.BA DATE: 13 May 1999
 ORCA UHF PCB LAYOUT - BOTTOM SIDE